

# Fuego Gaming Desk

alphason



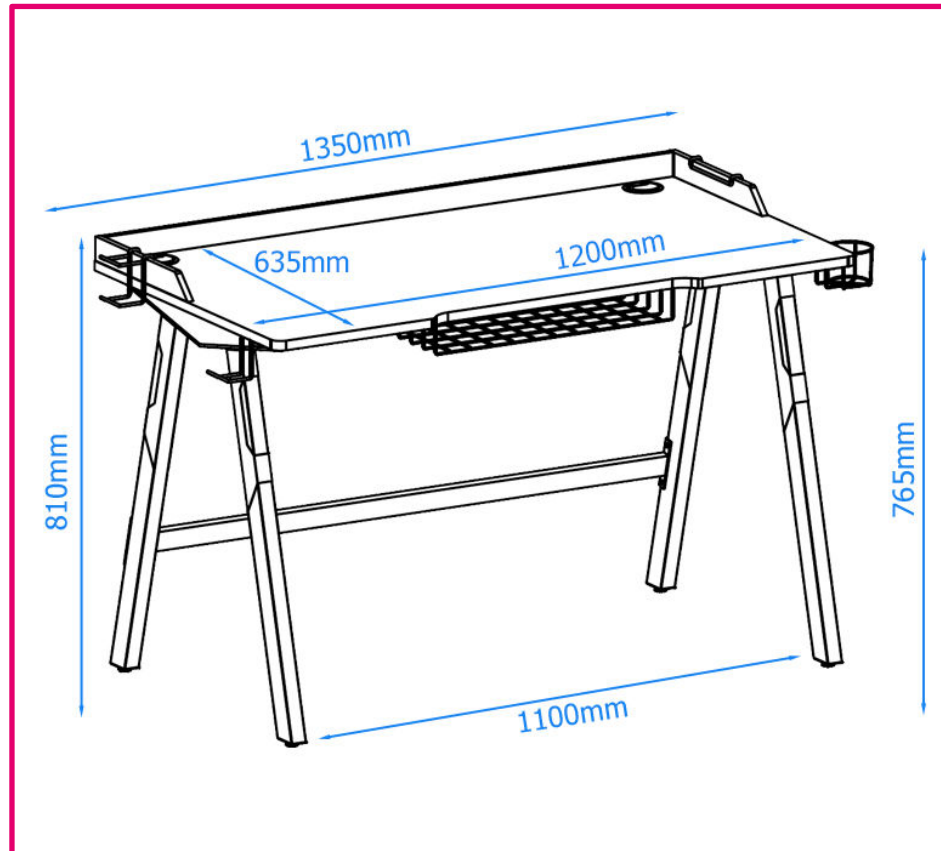
Bring fire to your gaming with the Fuego desk. Designed to give you space you need with everything at your fingertips, the Fuego is designed for maximum gaming with minimal space. Comes included are interchangeable and optional storage solutions; headphone hanger, server rack, drinks holder, and a large wire storage tray.

- Beautiful black and red finish
- Curved desk front for ideal seating position
- Dual cable management holes with covers
- Sturdy steel frame
- Includes; Headphone rack, drink holder, server rack, controller holders, central wire tray (optional)
- Working area (mm): W 1300 x D 635

# Fuego Gaming Desk

**alphason**

Technical Sheet



**AW9230**  
**EAN: 5060669115199**

## SPECIFYING

Table Top Height (mm)	765
Leg Clearance Width (kg)	1100
Number of Drawers (hours)	0
Product Weight (kg)	20.5
Dims: H 810 x W 1350 x D 650 (mm)	

## PACKAGING

Number of Boxes	1
Width (mm)	1295
Height (mm)	150
Depth (mm)	695
Weight (kg)	22.5